

12ICS100

ICS series Intensive Cycle Service

Narada's ICS series battery designed to provide high cycling and fast charge performance, idea for telecom service where power supply is unstable. With innovative structure design, high quality manufacturing and high quality material, ICS batteries are also capable of PSoC, hybrid, renewable energy storage application and other cycling/standby applications.

ICS series also have true front access terminal and front-access gas collection tubing for fast installation and facilitates maintenance.

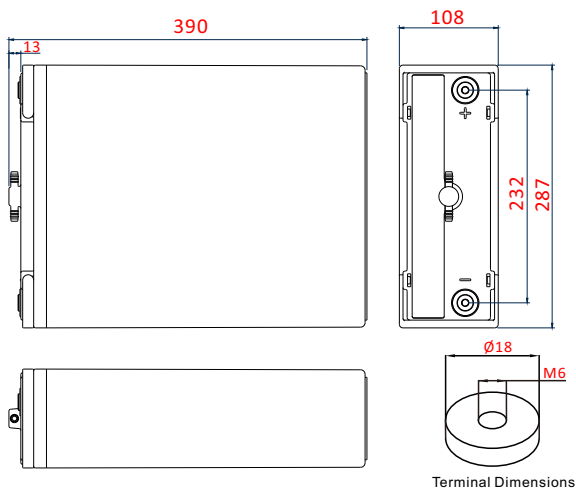


Features & Benefits

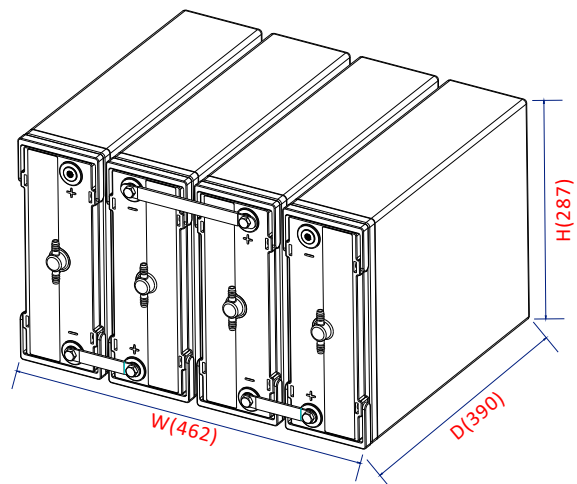
- Extra high cycling and fast charge performance
- Designed for intensive cycle service where unstable grid power supply or no-grid, such as Telecom BTS, hybrid genset, renewable energy storage application
- Suit for 19" or 23" and ETSI power racks/cabinets with front terminal
- Superb security and reliability, more cost effective than nearest equivalent
- 12 years design float life at 25°C
- Wide operating temperature range -40°C to +50°C
- True front-terminal design
 - Not requiring any additional space between the top of the battery and the next shelf
 - Easy paralleling of 48V strings (on 2 or more shelves) or 2x24V strings on one shelf via cost-effective flexible cables running along front surface
 - With rotational symmetry not requiring expensive and long cables when long strings are assembled on multiple
- Easy installation and verification of gas collection tubing via twin front-access gas nipples also with easy connection over several shelves
- Fold-away handles for easy installation and removal from shelves

Drawings

12V monobloc dimensions (in mm)



48V system: Total installation depth 390mm, including connector, bolt, insulation protective cover.



12ICS100

ICS series
Intensive Cycle Service

Technical specifications

Electrical data

Nominal voltage	12 V
Number of cells	6
Rated capacity(25°C)	100 Ah - 10A for 10h to 1.80V/cell
Float voltage	2.25Vpc at 25°C
Cycle and equalize charge voltage	2.35Vpc at 25°C
Internal resistance	6.15 mΩ (acc. to IEC 60896-21)
Short circuit current	2150 A (acc. to IEC60896-21)
Max. charge current	unlimited, otherwise 25A max. if T>25°C
Self discharge	less than 3% per month at 25°C

Mechanical data

Weight ready for use	35 kg (77.2 lbs)
Length	390 mm (15.4 in)
Width	108 mm (4.25 in)
Height of monobloc	287 mm (11.3 in)
Total height	287 mm (11.3 in)
Terminal	M6 female
Terminal hardware torque	8±1.0 Nm

Constant Current Discharge Characteristics Units: Amperes (25°C, 77°F)

End Voltage	5min	15min	45min	1hr	2hr	3hr	4hr	5hr	6hr	8hr	10hr	12hr	20hr	24hr
1.60Vpc	237	161	86.7	71.2	42.4	30.4	23.8	19.5	16.6	12.8	10.4	8.73	5.35	4.48
1.65Vpc	235	160	86.1	70.8	42.1	30.3	23.7	19.5	16.5	12.7	10.3	8.71	5.33	4.47
1.67Vpc	234	159	85.8	70.6	42.0	30.2	23.6	19.4	16.5	12.7	10.3	8.69	5.33	4.46
1.70Vpc	231	158	85.1	70.0	41.8	30.0	23.5	19.4	16.5	12.7	10.3	8.68	5.32	4.46
1.75Vpc	223	153	83.1	68.5	41.0	29.5	23.2	19.1	16.2	12.5	10.2	8.57	5.26	4.41
1.80Vpc	210	145	79.7	65.9	39.7	28.7	22.6	18.6	15.9	12.3	10.0	8.44	5.20	4.36
1.83Vpc	200	138	76.3	63.2	38.3	27.8	22.0	18.2	15.5	12.0	9.80	8.28	5.12	4.30
1.85Vpc	194	132	72.9	60.5	36.9	26.9	21.3	17.7	15.1	11.7	9.61	8.14	5.06	4.25

Constant Power Discharge Data Units: Watts per cell (25°C,77°F)

End Voltage	5min	15min	45min	1hr	2hr	3hr	4hr	5hr	6hr	8hr	10hr	12hr	20hr	24hr
1.60Vpc	448	296	159	131	79.2	57.5	45.3	37.5	32.0	24.8	20.3	17.2	10.6	8.94
1.65Vpc	440	293	158	131	79.0	57.4	45.2	37.4	32.0	24.8	20.3	17.1	10.6	8.93
1.67Vpc	435	291	158	131	79.0	57.4	45.2	37.4	32.0	24.8	20.3	17.1	10.6	8.93
1.70Vpc	427	288	157	130	78.8	57.2	45.2	37.4	31.9	24.8	20.2	17.1	10.6	8.92
1.75Vpc	409	280	154	128	77.7	56.6	44.6	37.0	31.6	24.5	20.0	16.9	10.5	8.82
1.80Vpc	381	267	149	124	75.8	55.3	43.8	36.3	31.0	24.1	19.7	16.7	10.4	8.71
1.83Vpc	363	256	144	120	73.6	53.8	42.7	35.4	30.3	23.6	19.3	16.4	10.2	8.56
1.85Vpc	352	246	139	116	71.4	52.4	41.6	34.6	29.7	23.2	19.0	16.1	10.1	8.49