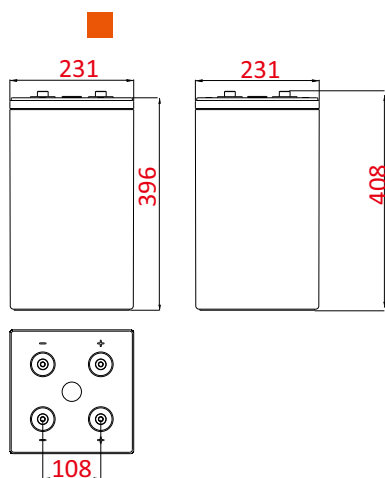


REXC series

REXC-800

Narada[®]



Feature

- Design life 20 years
- Combine the advantage of lead acid battery and supercapacitor
- Ideal for PSOC cycle application
- High power, rapid charge/discharge
- Reduce sulfation of negative plate, excellent recharge acceptance performance
- Waterproof, anti-salt treatment, shockproof module installation design
- Comply with IEC60896, IEC61427 etc. standard

Application

- Renewable energy storage
- Smart power grids and microgrids system
- Distributed energy storage system
- Hybrid energy storage system such as solar and wind
- Home energy storage system
- Solar power generation grid/off-grid energy storage system
- Emergency lighting system
- Generator and battery hybrid energy system
- Other standby, cycling system

Parameter

Nominal Voltage	2V
Capacity	800Ah (10hr to 1.80V/cell @25°C) 960Ah (120hr to 1.85V/cell @25°C)
Typical Weight	60kg
Internal Resistance	Approx 0.18mΩ
Short-Circuit Current	10873A
Self Discharge	The residual capacity is above 90% after 90 days storage (25°C)
Temperature Ranges	Operation(recommended):15°C~25°C Operation(maximum):-40°C~50°C
Max. charging current	240A
Max. constant charging current	160A
Charge Voltage	Floating:2.25V (25°C) Equalizing/Cycle: 2.30V(25°C)
Terminal	M8 embedded copper
Terminal Hardware Torque	>10N·m

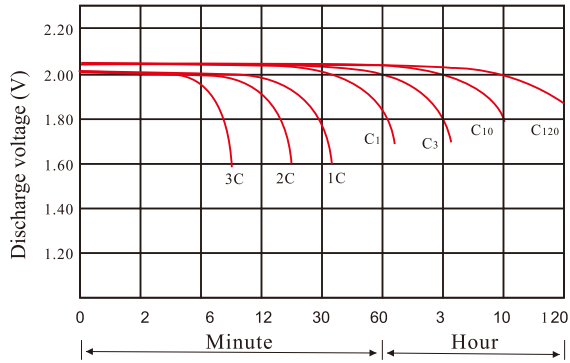
Constant Current Discharge Characteristics Units: Amperes(25°C)

End voltage per cell	1hr	3hr	5hr	8hr	10hr	24hr	48hr	72hr	120hr
1.75V	442.8	214.3	146.0	100.3	83.6	37.7	19.3	13.2	8.40
1.80V	420.6	209.5	142.7	98.4	82.5	36.9	19.0	13.0	8.30
1.83V	396.8	203.2	140.5	97.8	82.1	36.9	18.9	12.9	8.20
1.85V	371.4	192.2	133.7	94.4	79.2	35.8	18.2	12.5	8.00
1.88V	337.3	181.2	127.4	91.0	76.2	34.8	17.6	12.0	7.60

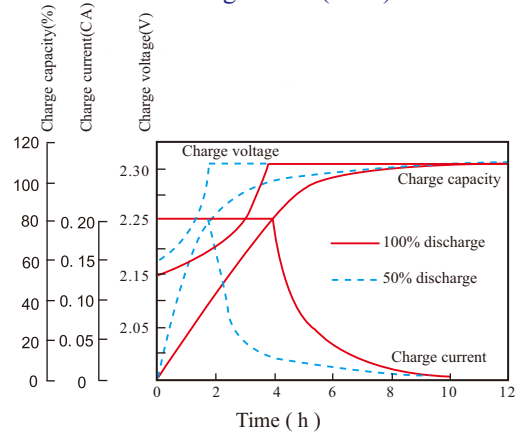
Discharge Data with Constant Power Units: Watts per cell(25°C)

End voltage per cell	15min	30min	1hr	2hr	3hr	4hr	5hr	6hr	8hr	10hr
1.75V	1973	1224.5	897.8	566.4	446.9	357.5	301.9	262.1	216.9	182.7
1.80V	1856	1144.5	826.5	545.6	433.3	351.9	293.9	256.6	212.1	179.5
1.83V	1748	1069.6	773.0	525.5	423.6	342.4	286.0	249.4	206.5	176.4
1.85V	1632	988.5	708.2	505.5	409.2	332.8	278.0	242.3	200.0	170.0
1.88V	1517	891.3	648.2	479.8	386.7	319.3	270.1	236.7	194.6	165.2

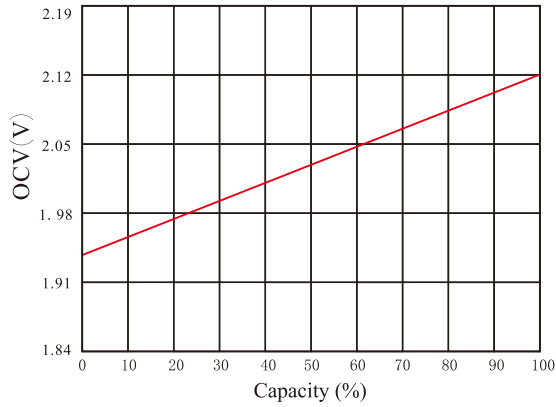
Discharge curve at different rate (25°C)



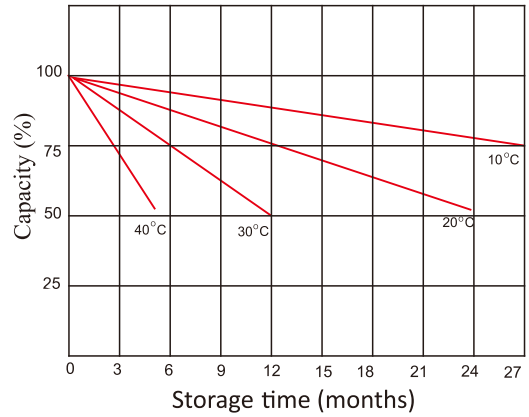
Charge curve (25°C)



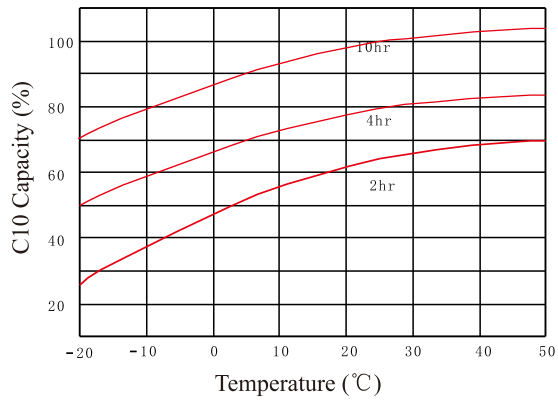
Capacity vs OCV curve



Residue capacity vs storage time



Capacity vs temperature curve



Design life vs temperature

